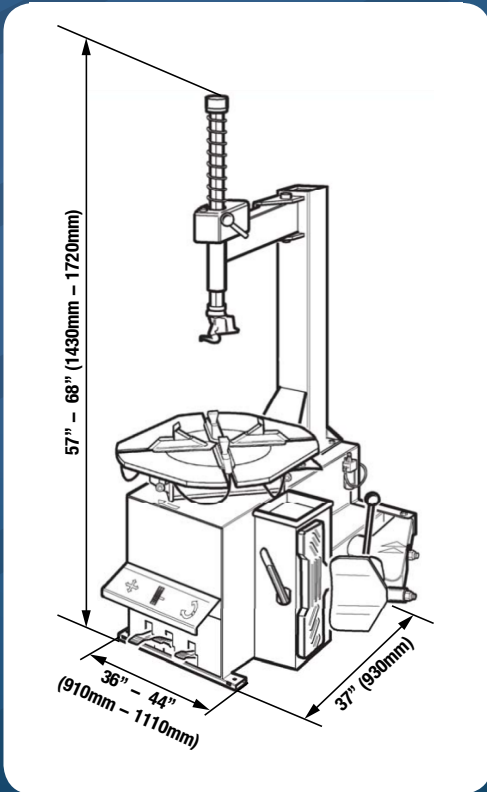


# 70-024-B SEMI-AUTOMATIC TIRE CHANGER

## SPECIFICATIONS

Rim Clamping	10" - 24"
Max. Wheel Diameter	39" (1000mm)
Max. Wheel Width	13" (340mm)
Bead Breaker Force @ 10 bar	3000 kg
Operating Pressure	140 psi (10 bar)
Power Supply	220v / 380v
Motor power	0.55kw / 0.75kw
Max. Spindle Torque	1200 Nm
Max. Inflating Pressure	50 psi (3,5 bar)
Packing Dimension	970 x 760 x 940
Gross Weight	213 kg

- Fixed vertical arm
- Horizontal moving arm
- Operating arm manual locking
- 24" turntable
- Air operated bead breaker
- Extractable pedal unit
- Oversize body



The Cartek Group - ph: 866-550-1134 - [www.bear-cartek.com](http://www.bear-cartek.com)