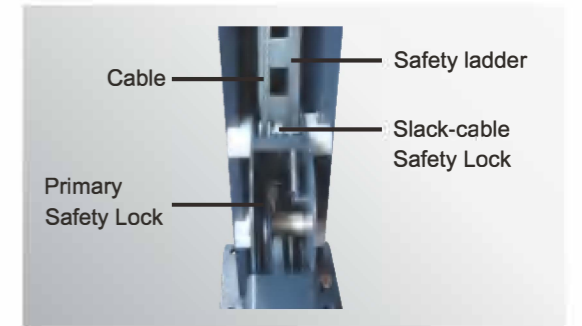


## EXCLUSIVE FEATURES



Hidden locking device and manual single-point safety lock release allows all 4 columns to disengage at once.



Commercial double safety locks provide additional safety.

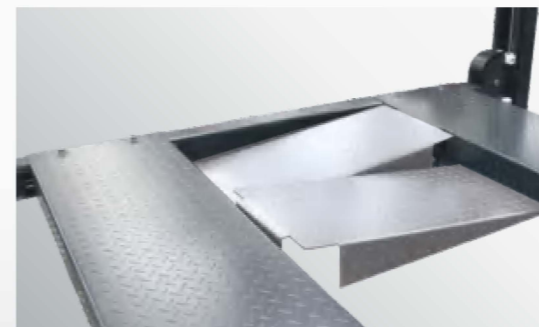
## OPTIONAL PARTS



Caster kits help easily maneuver the parking lift. Each 4-post parking lift needs 4 pieces of caster. Kits No.: 40801



**EXCLUSIVE FEATURE**  
Double-S shape column



Aluminum alloy drive-in ramps. Weight for one set, which includes 2 pieces, is only 18kg (40 lbs). Kits No.: 40803

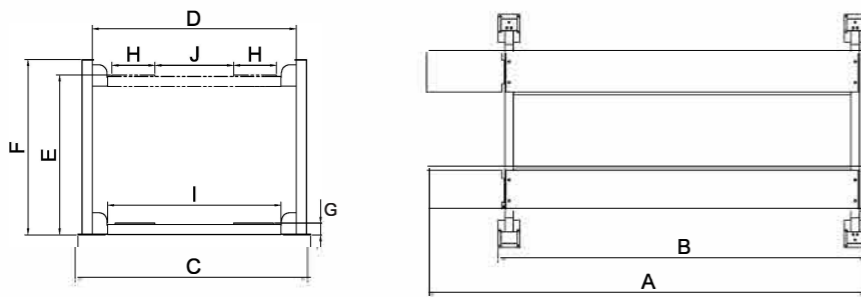


J5H sliding jack with hand pump. 1.5" and 2.5" extension adaptors included. Capacity: 5,000 lbs(2.2T).

# MODEL 30-P408SP

### FEATURES

- 8,000 lbs. capacity, which is perfect for light-duty vehicles.
- BEAR exclusive hidden safety locks and manual single-point release device allows for operators to unlock the safety locks from one column simultaneously.
- Double-S shaped columns help increase the columns' strength.
- Skid proof diamond platform provides traction for tires to stay put.
- Optional configuration includes 4 plastic drip trays, 1 jack tray and 4 caster kits.
- Flexible design: the power side column can be installed at each corner.
  - It works on 220V or 110V based on the power unit (220V: 071104 / 110V: 071103).
  - Designed to be portable, it can easily be moved by using the optional caster kits.
- Comes with 2-year constructional warranty and a 2-year hydraulic and 2-year electrical warranty.



### SPECIFICATIONS

Model	Lifting Capacity	Lifting Time	A	B	C	D	E	F	G	H	I	J	Gross Weight	Motor Power
			Overall Length (Inc.Ramps)	Overall Length (No Ramps)	Overall Width	Width Between Posts	Lifting Height	Overall Height	Minimum Height	Runway Width	Drive-Thru Clearance	Width Between Runways		
30-P408SP	8,000lbs (3500KG)	81S	(207")	(173 1/4")	(109 5/8")	(96")	(73 3/4")	(82 7/8")	(6 1/8")	(18 3/4")	(81 5/8")	(37")	1,649lbs (747KG)	1.0HP,110V/60Hz 2.0HP,220V/60Hz
		31S	5257mm	4400mm	2784mm	2438mm	1872mm	2105mm	155mm	475mm	2074mm	940mm		

The CARTEK Grupo  
950 East N Avenue Kalamazoo,  
MI USA 49048  
Tel: 866-550-1134  
email: customerservice@cartek.com  
Web: www.bear-cartek.com